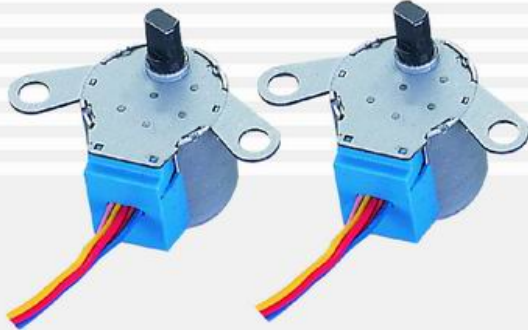


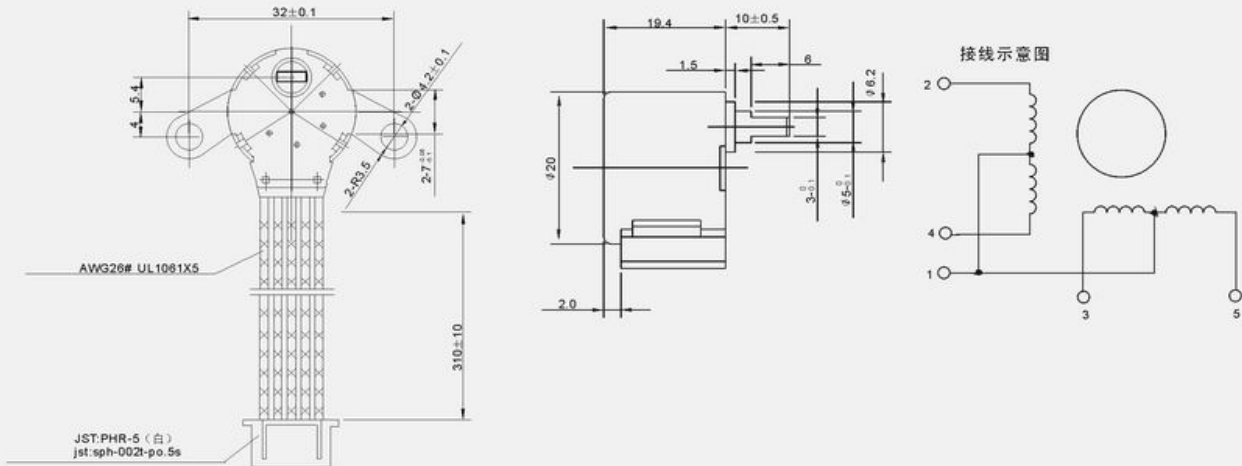
步进电机系列 Step Motor Series 20BYJ46



1-2相励磁顺序表

连线序号	导线颜色	分配顺序							
		1	2	3	4	5	6	7	8
1	红	+	+	+	+	+	+	+	+
2	橙	-	-						-
3	黄			-	-				
4	粉					-	-		
5	蓝							-	-

从输出轴方向看-逆时针方向(CCW)



主要电气性能 SPECIFICATION

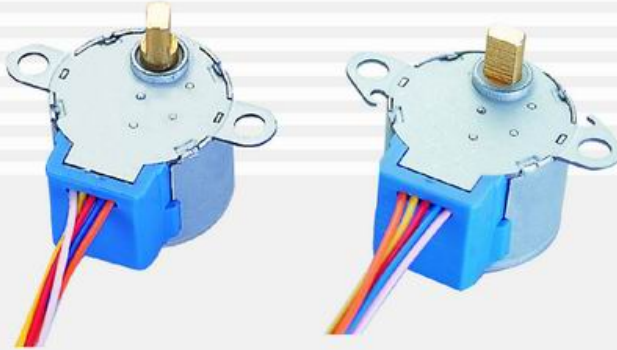
1. 额定电压 (Rated voltage): 12VDC
2. 相数 (Number of phases): 4
3. 减速比 (Reduction Gear ratio): 1/85.25
4. 步距角 (Step angle): 7.5° / 85.25
5. 驱动方式 (Pattern of drive): 四相八拍;
6. 直流电阻 (Direct resistance): $200\Omega \pm 7\%$ (25° C)
7. 空载牵入频率 (No_load pull_in rate.p.p.s): $\geq 500\text{Hz}$
8. 空载牵出频率 (No_load pull_out rate.p.p.s): $\geq 800\text{Hz}$
9. 牵入转矩 (Pull-in Torque): $\geq 34.3\text{mN.m}$ (120Hz)
10. 自定位转矩 (Detent Torque): $\geq 29.4\text{mN.m}$
11. 绝缘电阻 (Insulation resistance): $> 50\text{M}\Omega(500\text{V})$
12. 绝缘介电强度 (Dielectric strength): 600VAC/1mA/1s
13. 绝缘等级 (Insulation class): A
14. 温升 (Coil temperature rise): $< 50\text{K}$ (120Hz)
15. 噪声 (Noise): $< 35\text{dB(A)}$
16. 重量 (Weight): about 32g
17. 未注公差按 (According to class where tolerance is not given): GB1804-m

- 注:
1. 导线颜色及长度可按用户要求生产
 2. 输出轴可按用户要求生产
 3. 工作电压及频率可按用户要求生产
 4. 安装尺寸可按用户要求制作
- Note:
1. Colour & length of conducting wire can be made according to the requirement of users
 2. The output shaft can be made according to The consumers need
 3. Working voltages and frequencies can be made as per users' requirements.
 4. Installation dimension can be made according to user's requirements.

The information above is for reference only, detailed specification is subject to final confirmation

CIXI JIULING ELECTRICAL APPLIANCE CO.,LTD.

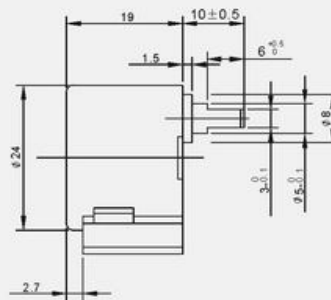
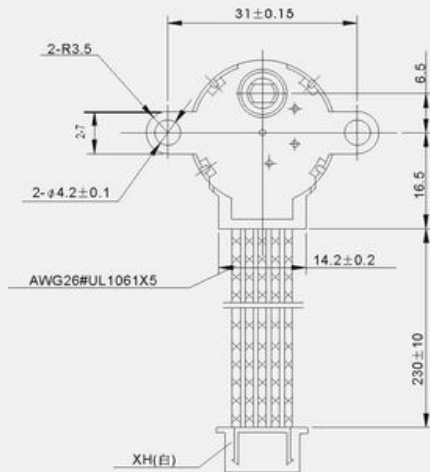
步进电机系列 Step Motor Series 24BYJ48



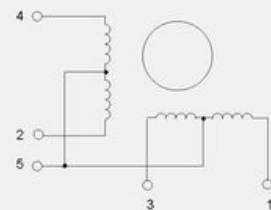
1-2相励磁顺序表

连线序号	导线颜色	分配顺序							
		1	2	3	4	5	6	7	8
5	红	+	+	+	+	+	+	+	+
4	橙	-	-	-	-	-	-	-	-
3	黄	-	-	-	-	-	-	-	-
2	粉	-	-	-	-	-	-	-	-
1	蓝	-	-	-	-	-	-	-	-

从输出轴方向看-逆时针方向(CCW)



接线示意图



主要电气性能 SPECIFICATION

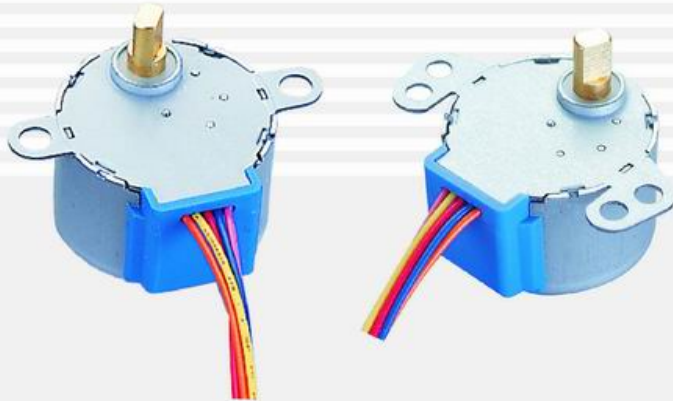
1. 额定电压 (Rated voltage): 12VDC
2. 相数 (Number of phases): 4
3. 减速比 (Reduction Gear ratio) : 1/64
4. 步距角 (Step angle) : 5.625°/64
5. 驱动方式 (Pattern of drive): 四相八拍;
6. 直流电阻 (Direct Current Resistance) : 200 Ω ± 7% (25°C)
7. 空载牵入频率 (No_load pull_in rate.p.p.s): ≥ 600Hz
8. 空载牵出频率 (No_load pull_out rate.p.p.s): ≥ 1000Hz
9. 牵入转矩 (Pull-in Torque) ≥ 34.3mN.m (120Hz)
10. 自定位转矩 (Detent Torque) ≥ 34.3mN.m
11. 绝缘电阻 (Insulation resistance): > 10 MΩ(500V)
12. 绝缘介电强度 (Dielectric strength): 600VAC/1mA/1s
13. 绝缘等级 (Insulation class): A
14. 温升 (Coil temperature rise): <40K (120Hz)
15. 噪声 (Noise) : <40dB(A)
16. 重量 (Weight) : about 40g
17. 未注公差按 (According to class where tolerance is not given): GB1804-m

- 注:
1. 导线颜色及长度可按用户要求生产
 2. 输出轴可按用户要求生产
 3. 工作电压及频率可按用户要求生产
 4. 安装尺寸可按用户要求制作
- Note:
1. Colour & length of conducting wire can be made according to the requirement of users
 2. The output shaft can be made according to The consumers need
 3. Working voltages and frequencies can be made as per users' requirements.
 4. Installation dimension can be made according to user's requirements.

The information above is for reference only, detailed specification is subject to final confirmation

电话 (Tel): 0086-574-63780312 Sales: 63788682 Tech: 63788702 传真 (Fax): 0086-574-63788566 联系人: 金鹏伟、黄崇荣
 网址 (Website): Http://www.china-jiuling.com, Http://www.micromotor.cn E-mail: jiuling@china-jiuling.com sale@juln.com
 地址: 浙江省宁波慈溪市龙山工业园区 (329 国道旁) 网络实名: 同步电动机, 微型步进电机, 机械定时器, 风扇罩极电机

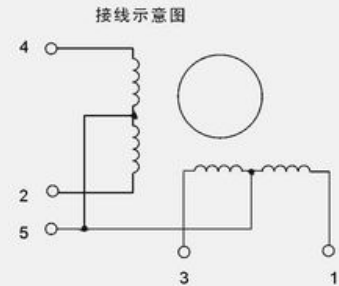
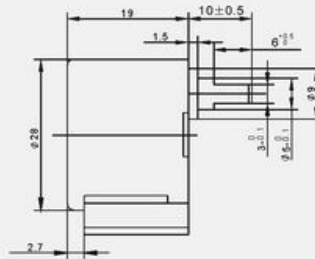
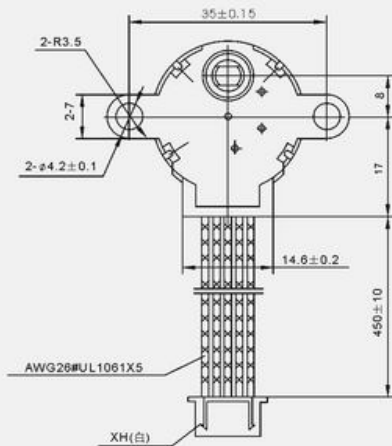
步进电机系列 Step Motor Series
28BYJ48



1-2相励磁顺序表

连线序号	导线颜色	分配顺序							
		1	2	3	4	5	6	7	8
5	红	+	+	+	+	+	+	+	+
4	橙	-	-	-	-	-	-	-	-
3	黄								
2	粉								
1	蓝								

从输出轴方向看-逆时针方向(CCW)



主要电气性能 SPECIFICATION

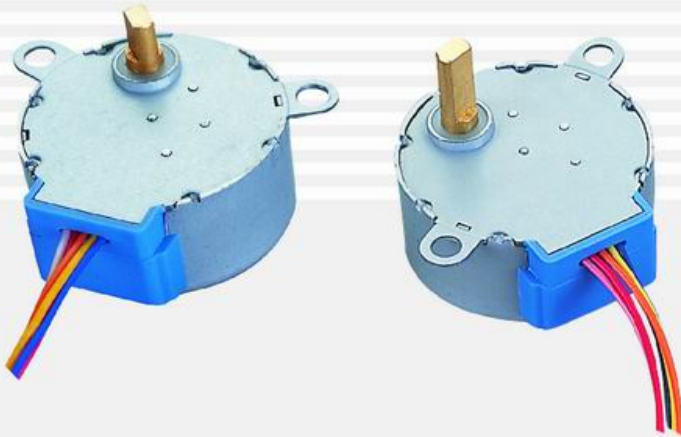
1. 额定电压 (Rated voltage): 12VDC
2. 相数 (Number of phases): 4
3. 减速比 (Reduction Gear ratio): 1/64
4. 步距角 (Step angle): 5.625 °/64
5. 驱动方式 (Pattern of drive): 四相八拍
6. 直流电阻 (Direct Current Resistance): 200Ω ± 7% (25°C)
7. 空载牵入频率 (No_load pull_in rate.p.p.s): ≥ 600Hz
8. 空载牵出频率 (No_load pull_out rate.p.p.s): ≥ 1000Hz
9. 牵入转矩 (Pull-in Torque): ≥ 34.3mN.m (120Hz)
10. 自定位转矩 (Detent Torque): ≥ 34.3mN.m
11. 绝缘电阻 (Insulation resistance): > 10 MΩ(500V)
12. 绝缘介电强度 (Dielectric strength): 600VAC/1mA/1s
13. 绝缘等级 (Insulation class): A
14. 温升 (Coil temperature rise): < 40K (120Hz)
15. 噪声 (Noise): < 40dB (A)
16. 重量 (Weight): about 40g
17. 未注公差按 (According to class where tolerance is not given): GB1804-m

注: 1. 导线颜色及长度可按用户要求生产
2. 输出轴可按用户要求生产
3. 工作电压及频率可按用户要求生产
4. 安装尺寸可按用户要求制作

Note: 1. Colour & length of conducting wire can be made according to the requirement of users
2. The output shaft can be made according to The consumers need
3. Working voltages and frequencies can be made as per users' requirements.
4. Installation dimension can be made according to user's requirements.

The information above is for reference only, detailed specification is subject to final confirmation

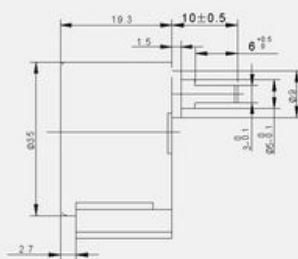
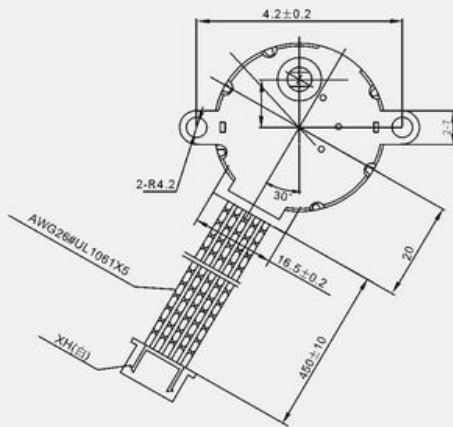
步进电机系列 Step Motor Series 35BYJ46



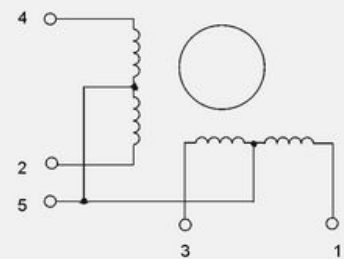
1-2相励磁顺序表

连线序号	导线颜色	分配顺序							
		1	2	3	4	5	6	7	8
5	红	+	+	+	+	+	+	+	+
4	橙	-	-	-	-	-	-	-	-
3	黄								
2	粉				-	-	-	-	-
1	蓝						-	-	-

从输出轴方向看-逆时针方向(CCW)



接线示意图



主要电气性能 SPECIFICATION

1. 额定电压 (Rated voltage): 12VDC
2. 相数 (Number of phases): 4
3. 减速比 (Reduction Gear ratio): 1/85.25
4. 步距角 (Step angle) : 7.5 °/85.25
5. 驱动方式 (Pattern of drive): 四相八拍
6. 直流电阻 (Direct Current Resistance): 130 Ω ± 7% (25 °C)
7. 空载牵入频率 (No_load pull_in rate.p.p.s): ≥ 500Hz
8. 空载牵出频率 (No_load pull_out rate.p.p.s): ≥ 800Hz
9. 牵入转矩 (Pull-in Torque): ≥ 78.4mN.m (120Hz)
10. 自定位转矩 (Detent Torque): ≥ 39.2mN.m
11. 绝缘电阻 (Insulation resistance): > 10 MΩ(500V)
12. 绝缘介电强度 (Dielectric strength): 600VAC/1mA/1s
13. 绝缘等级 (Insulation class): A
14. 温升 (Coil temperature rise): <40K (120Hz)
15. 噪声 (Noise): <40dB(A)
16. 重量 (Weight): about 60g
17. 未注公差按 (According to class where tolerance is not given): GB1804-m

- 注: 1. 导线颜色及长度可按用户要求生产
2. 输出轴可按用户要求生产
3. 工作电压及频率可按用户要求生产
4. 安装尺寸可按用户要求制作
- Note: 1. Colour & length of conducting wire can be made according to the requirement of users
2. The output shaft can be made according to The consumers need
3. Working voltages and frequencies can be made as per users' requirements.
4. Installation dimension can be made according to user's requirements.

The information above is for reference only, detailed specification is subject to final confirmation