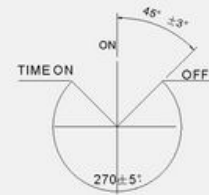
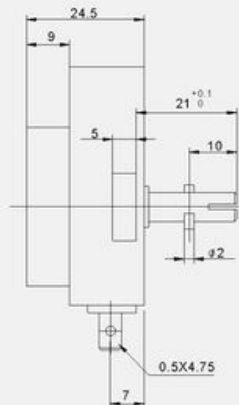
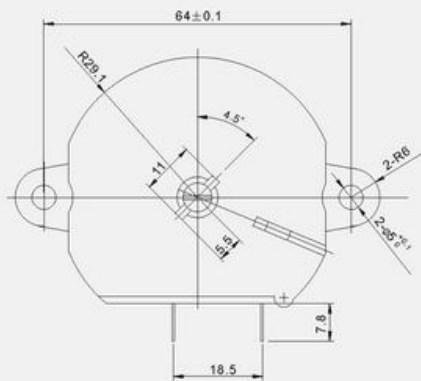
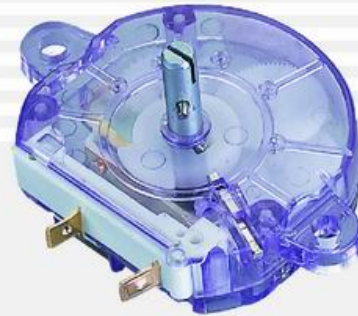


CIXI JIULING ELECTRICAL APPLIANCE CO.,LTD.

风扇定时器系列 Fan Timer
DFJ-A



定时范围 : 180'、120'、60'、30'等

主要电气性能 SPECIFICATION

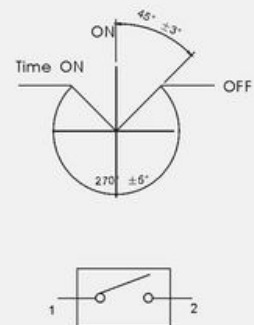
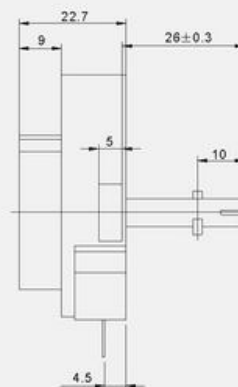
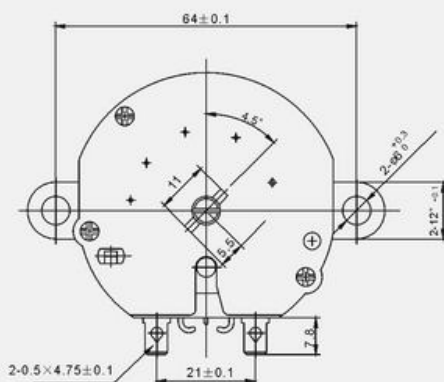
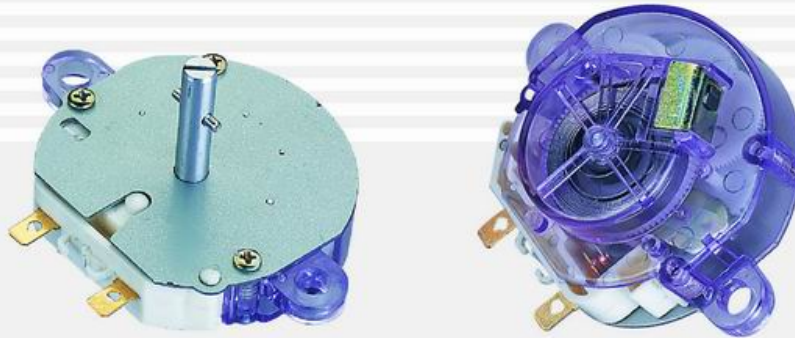
1. 额定电压 (Rated voltage): 220VAC
2. 额定电流 (Rated Current): 3A
3. 绝缘电阻 (Insulation resistance): $\geq 100 M\Omega$
4. 电气强度 (Electric Strength): 2000VAC/min
5. 主轴操作方向 (Operating Direction of Main Shaft): CW
6. 主轴操作力矩 (Operating Moment of Main Shaft) : $\leq 0.6N.cm$

注: 1. 输出轴可按用户要求生产
2. 工作电压及频率可按用户要求生产

Note: 1. The output shaft can be made according to The consumers need
2. Working voltages and frequencies can be made as per users' requirements.

The information above is for reference only, detailed specification is subject to final confirmation

电话 (Tel): 0086-574-63780312 Sales: 63788682 Tech: 63788702 传真 (Fax): 0086-574-63788566 联系人: 金鹏伟、黄崇荣
网址 (Website): [Http://www.china-jiuling.com](http://www.china-jiuling.com), [Http://www.micromotor.cn](http://www.micromotor.cn) E-mail: jiuling@china-jiuling.com sale@juln.com
地址: 浙江省宁波慈溪市龙山工业园区 (329 国道旁) 网络实名: 同步电动机, 微型步进电机, 机械定时器, 风扇罩极电机



定时范围 :180'、120'、60'、30'等

主要电气性能 SPECIFICATION

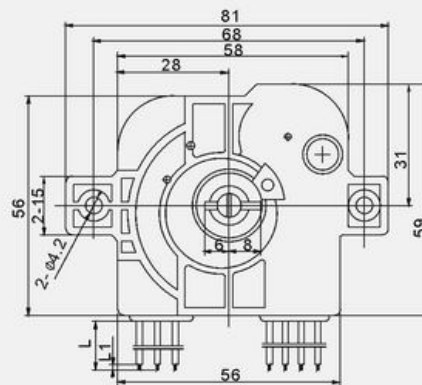
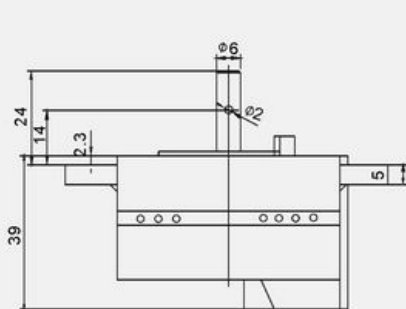
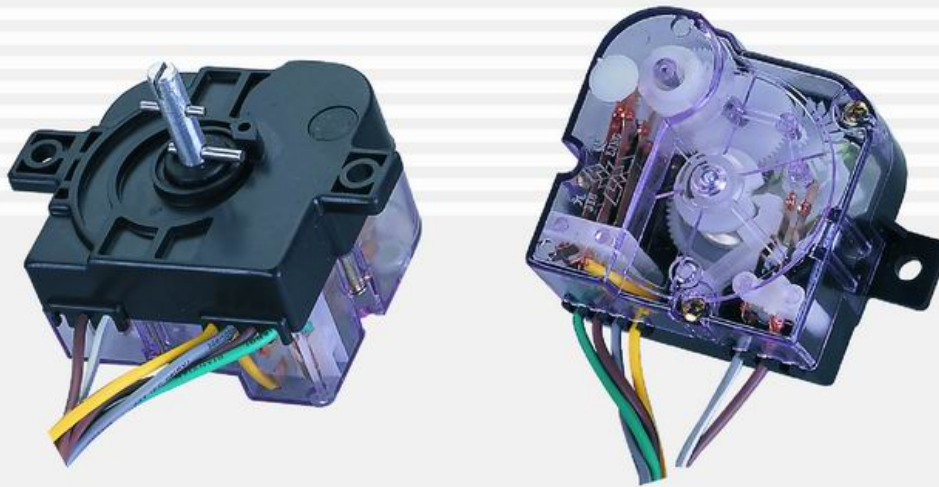
1. 额定电压 (Rated voltage):220VAC
2. 额定电流 (Rated Current):3A
3. 绝缘电阻 (Insulation resistance): $\geq 100 M\Omega$
4. 电气强度 (Electric Strength):2000VAC/min
5. 主轴操作方向 (Operating Direction of Main Shaft):CW
6. 主轴操作力矩 (Operating Moment of Main Shaft): $\leq 0.6N.cm$

- 注: 1. 输出轴可按用户要求生产
2. 工作电压及频率可按用户要求生产
- Note: 1. The output shaft can be made according to The consumers need
2. Working voltages and frequencies can be made as per users' requirements.

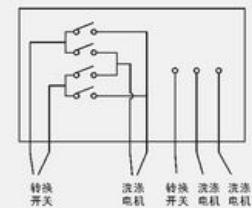
The information above is for reference only, detailed specification is subject to final confirmation

CIXI JIULING ELECTRICAL APPLIANCE CO.,LTD.

洗涤定时器 Wash Timer
DXT15S-1



线路图



主要电气性能 SPECIFICATION

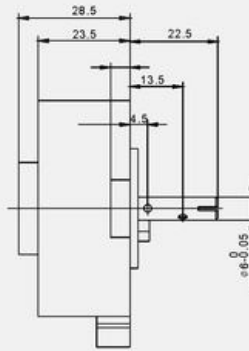
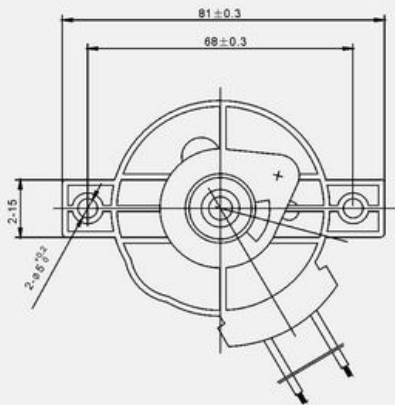
1. 额定电压 (Rated voltage): 220VAC
2. 额定电流 (Rated Current): 3.5A
3. 绝缘电阻 (Insulation resistance): 100 MΩ
4. 电气强度 (Electric Strength): 1500VAC/min
5. 主轴操作方向 (Operating Direction of Main Shaft): CW
6. 主轴操作力矩 (Operating Moment of Main Shaft) : $\leq 0.883\text{N}\cdot\text{cm}$

- 注: 1. 导线颜色及长度可按用户要求生产
2. 输出轴可按用户要求生产
3. 工作电压及频率可按用户要求生产

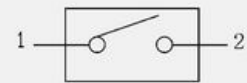
- Note: 1. Colour & length of conducting wire can be made according to the requirement of users
2. The output shaft can be made according to The consumers need
3. Working voltages and frequencies can be made as per users' requirements.

The information above is for reference only, detailed specification is subject to final confirmation

电话 (Tel): 0086-574-63780312 Sales: 63788682 Tech: 63788702 传真 (Fax): 0086-574-63788566 联系人: 金鹏伟、黄崇荣
网址 (Website): [Http://www.china-jiuling.com](http://www.china-jiuling.com), [Http://www.micromotor.cn](http://www.micromotor.cn) E-mail: jiuling@china-jiuling.com sale@juln.com
地址: 浙江省宁波慈溪市龙山工业园区 (329 国道旁) 网络实名: 同步电动机, 微型步进电机, 机械定时器, 风扇罩极电机



线路图



主要电气性能 SPECIFICATION

1. 额定电压 (Rated voltage): 220VAC
2. 额定电流 (Rated Current): 3A
3. 绝缘电阻 (Insulation resistance): 100 MΩ
4. 电气强度 (Electric Strength): 1500VAC/min
5. 主轴操作方向 (Operating Direction of Main Shaft): CW
6. 主轴操作力矩 (Operating Moment of Main Shaft): ≤ 0.638N.cm

- 注: 1. 导线颜色及长度可按用户要求生产
2. 输出轴可按用户要求生产
3. 工作电压及频率可按用户要求生产

- Note: 1. Colour & length of conducting wire can be made according to the requirement of users
2. The output shaft can be made according to The consumers need
3. Working voltages and frequencies can be made as per users' requirements.

The information above is for reference only, detailed specification is subject to final confirmation

电话 (Tel): 0086-574-63780312 Sales: 63788682 Tech: 63788702 传真 (Fax): 0086-574-63788566 联系人: 金鹏伟、黄崇荣
网址 (Website): [Http://www.china-jiuling.com](http://www.china-jiuling.com), [Http://www.micromotor.cn](http://www.micromotor.cn) E-mail: jiuling@china-jiuling.com sale@juln.com
地址: 浙江省宁波慈溪市龙山工业园区 (329 国道旁) 网络实名: 同步电动机, 微型步进电机, 机械定时器, 风扇罩极电机